



# STAINLESS STEEL Underbar Hand Sinks



## 18" and 21" Wide Units

Item #: \_\_\_\_\_ Qty #: \_\_\_\_\_

Model #: \_\_\_\_\_

Project #: \_\_\_\_\_

**SL-HS Series**  
18" Wide Units With  
Splash Mount Faucets



**CR-HS Series**  
21" Wide Units With  
Deck Mount Faucets

**FEATURES:**

29" Working Height

10" x 14" x 7" sink bowl.

4" backsplash.

Includes four galvanized legs with adjustable plastic bullet feet.

Adjustable galvanized side cross-bracing.

**CR-HS Series** has rear deck for extra storage

**MECHANICAL:**

**SL-HS Series:** Includes K-125 splash mount swing spout faucet.

**CR-HS Series:** Includes K-51 deck mount swing spout faucet.

**All faucets meet federal lead free standards.**

1 1/2" IPS drain

**MATERIAL:**

**Sink Bowl & Sides:** 20 gauge, 300 stainless steel

**Front Apron & Backsplash:** 22 gauge, 300 stainless steel

**Legs:** 1 5/8" O.D. 18 gauge, galvanized steel with adjustable plastic bullet feet

**OPTIONAL:**

**A-15** - Chrome towel ring (packed loose)

**K-316-LU** - Add wrist handles

**SU-10A** - 18" stainless steel leg upgrade with cross-bracing

**SU-18R or L** - Right or left side splash for 18" wide sink

**SU-18RL** - Right and left side splash for 18" wide sink

**SU-21R or L** - Right or left side splash for 21" wide sink

**SU-21RL** - Right and left side splash for 21" wide sink

**SU-40** - Prep unit for installation of speed rail

Conforms To NSF 61/9 Lead Free Requirements

For More Accessories & Modifications, Visit Us At [www.advancetabco.com](http://www.advancetabco.com).

18" WIDE			21" WIDE			O.A. Length (A)	Drain Location (B)
Model #	Approx. Weight	Approx. Cu. Ft.	Model #	Approx. Weight	Approx. Cu. Ft.		
SL-HS-12	31 lbs.	5	CR-HS-12	32 lbs.	5	12"	4 1/2"
SL-HS-15	34 lbs.	6	CR-HS-15	35 lbs.	6	15"	6"

**WARNING:** Equipment that include faucets on this page may contain a chemical known to the State of California to cause cancer, birth defects or other reproductive harm.



**Customer Service Available To Assist You 1-800-645-3166 8:30 am - 7:00 pm E.S.T.**

For Orders & Customer Service:

Email: [customer@advancetabco.com](mailto:customer@advancetabco.com) or Fax: 631-242-6900

For Smart Fabrication™ Quotes:

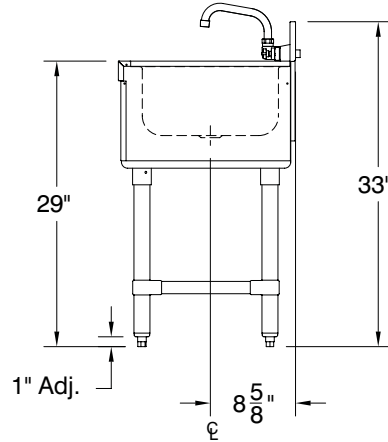
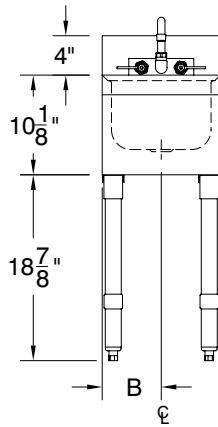
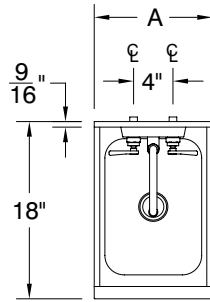
Email: [smartfab@advancetabco.com](mailto:smartfab@advancetabco.com) or Fax: 631-586-2933

# DIMENSIONS and SPECIFICATIONS

TOL Overall: ± .500" Interior: ± .250"

ALL DIMENSIONS ARE TYPICAL

## SL-HS Series



## CR-HS Series

